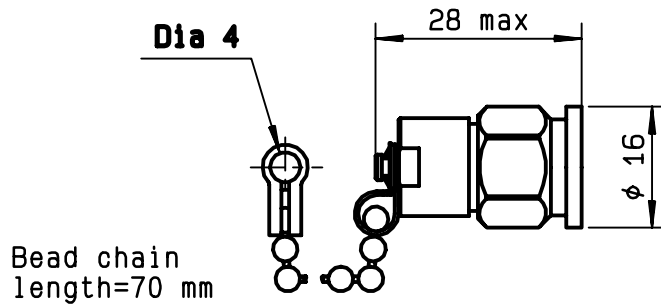


**TITLE:** 2 W 18GHZ TNC/m COAXIAL TERMINATION

**LTR. C**

## DRAWING



General tolerances: +/- 0.5 mm

## ELECTRICAL CHARACTERISTICS

FREQUENCY RANGE	: DC - 18GHz
IMPEDANCE	: 50 Ohms
DC RESISTANCE	: 50 Ohms ± 5 %
AVERAGE POWER HANDLING	: 2 W at 25°C
PEAK POWER HANDLING	: 100 W ( 1 μs, 1%.) at 25°C
V.S.W.R :	DC - 4 GHz : <=1.08
	4 - 8 GHz : <=1.10
	8 - 12.4 GHz : <=1.15
	12.4 - 18 GHz : <=1.20

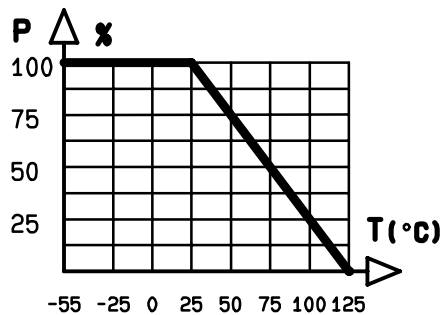
## MECHANICAL CHARACTERISTICS

CONNECTOR	: TNC male per MIL C 39012
MAXIMUM WEIGHT	: 25 grams

## ENVIRONMENTAL CHARACTERISTICS

OPERATING TEMPERATURE RANGE (°C)	: -55 , +125
STORAGE TEMPERATURE RANGE (°C)	: -55 , +125

Power derating  
Versus temperature



Tentative data subject to change without notice

PEN <b>95121</b>	QUALITY Dpt App.					
			C	new format	09.10.92	PG
PAGE 1 / 1	DATE 19.11.82	NAME DP	LTR	REVISIONS	DATE	APP.
				B	09.11.89	KL